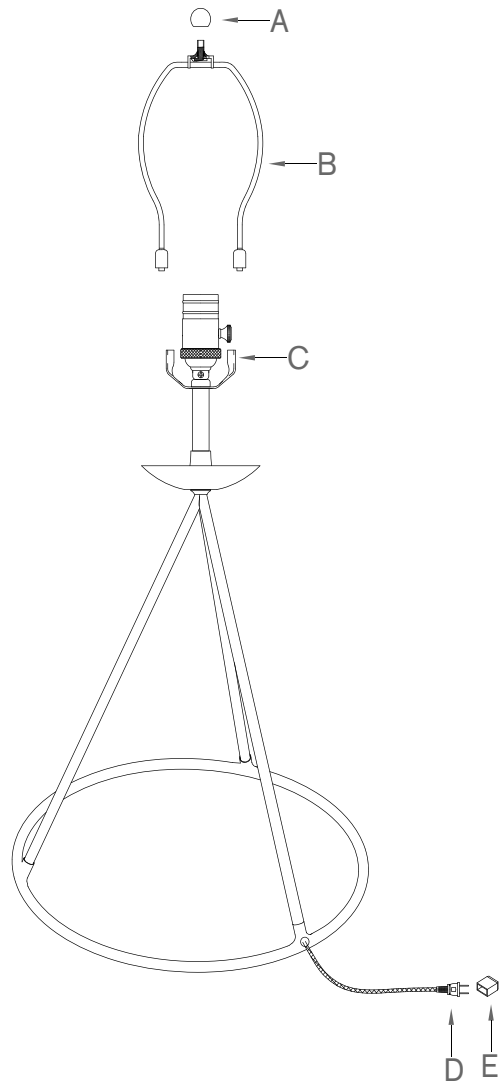


ASSEMBLY INSTRUCTIONS



Fontaine Table Lamp
Item # ARN3201

WE RECOMMEND INSTALLATION OF THIS LIGHTING FIXTURE BE DONE BY A LICENSED ELECTRICIAN.

WARNING * SWITCH OFF THE MAIN ELECTRICAL SUPPLY FROM THE MAIN FUSE BOX/CIRCUIT BREAKER BEFORE INSTALLATION.**

INSPECT ITEM CAREFULLY BEFORE ATTEMPTING TO INSTALL. IF THERE IS ANY DAMAGE OR OBVIOUS DEFECT, DO NOT INSTALL.

ITEM MAY NOT BE RETURNED ONCE IT HAS BEEN INSTALLED.

1. Carefully remove all parts from the carton.
2. Insert harp (B) into harp saddle (C) by squeezing both sides of harp (B).
3. Remove finial (A) from harp (B). Place lamp shade (not included) over the bolt attached on top of harp (B). Screw finial (A) onto the bolt to secure shade to the harp (B).
4. Insert light bulb Type A, maximum 100 watt into socket.
5. Remove plastic cover (E) from electrical plug (D).
6. Plug lamp into wall outlet.

***Clean with a dry, soft cloth only. Use no harsh abrasives or chemical agents.