

# ARN2036

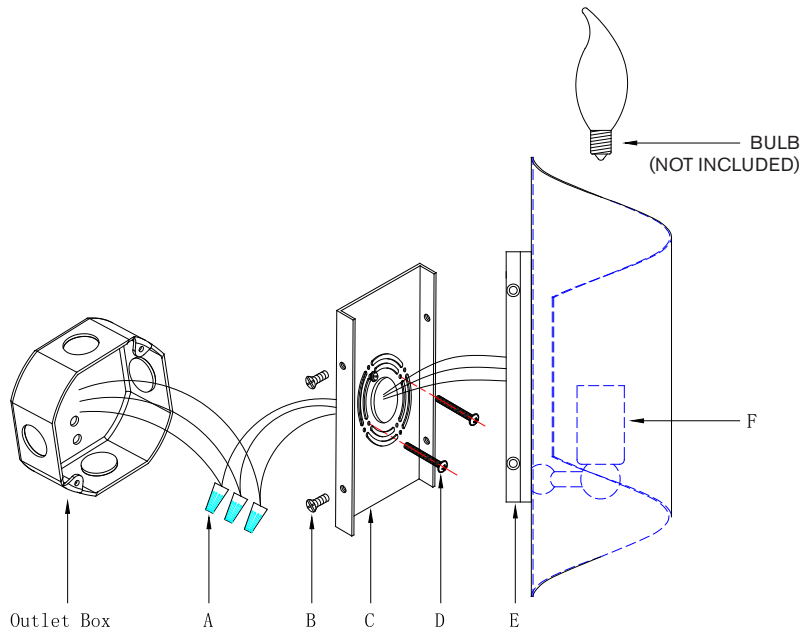
## ASSEMBLY & INSTALLATION GUIDE

**WE RECOMMEND INSTALLATION OF THIS LIGHTING FIXTURE BE DONE BY A LICENSED ELECTRICIAN.**

**WARNING \*\*\* SWITCH OFF THE MAIN ELECTRICAL SUPPLY FROM THE MAIN FUSE BOX/CIRCUIT BREAKER BEFORE INSTALLATION.**

**INSPECT ITEM CAREFULLY BEFORE ATTEMPTING TO INSTALL. IF THERE IS ANY DAMAGE OR OBVIOUS DEFECT, DO NOT INSTALL.**

**ITEM MAY NOT BE RETURNED ONCE IT HAS BEEN INSTALLED.**



1. Remove mounting plate (C) from fixture base (E) by loosening the side screws (B).
2. Affix mounting plate (C) onto ceiling outlet box and secure with mounting screws (D).
3. Connect the hot wire from the fixture (BLACK) to the hot wire from ceiling outlet box (usually BLACK). Fasten together with a plastic wire connector (A) provided and wrap connection with electrical tape.
4. Repeat this procedure for the WHITE neutral wire from the light fixture to the wire from ceiling outlet box (usually WHITE). Connect ground wire from the light fixture (GREEN or bare copper) to ground wire from ceiling outlet box (usually green or copper in color).
5. Connect the Neutral fixture wire with the Neutral (usually white) wire from your ceiling box using wire nut (A).
6. Connect the Hot (smooth edge, markings, or black) fixture wire with the Hot (usually black) wire from your outlet box using wire nut (A). DO NOT REVERSE THE HOT AND NEUTRAL CONNECTIONS OR SAFETY WILL BE COMPROMISED Attach fixture base (E) to mounting plate (C), and secure with the side screws (B).
7. Insert light bulbs (not included) into socket (F).
8. Installation is complete.