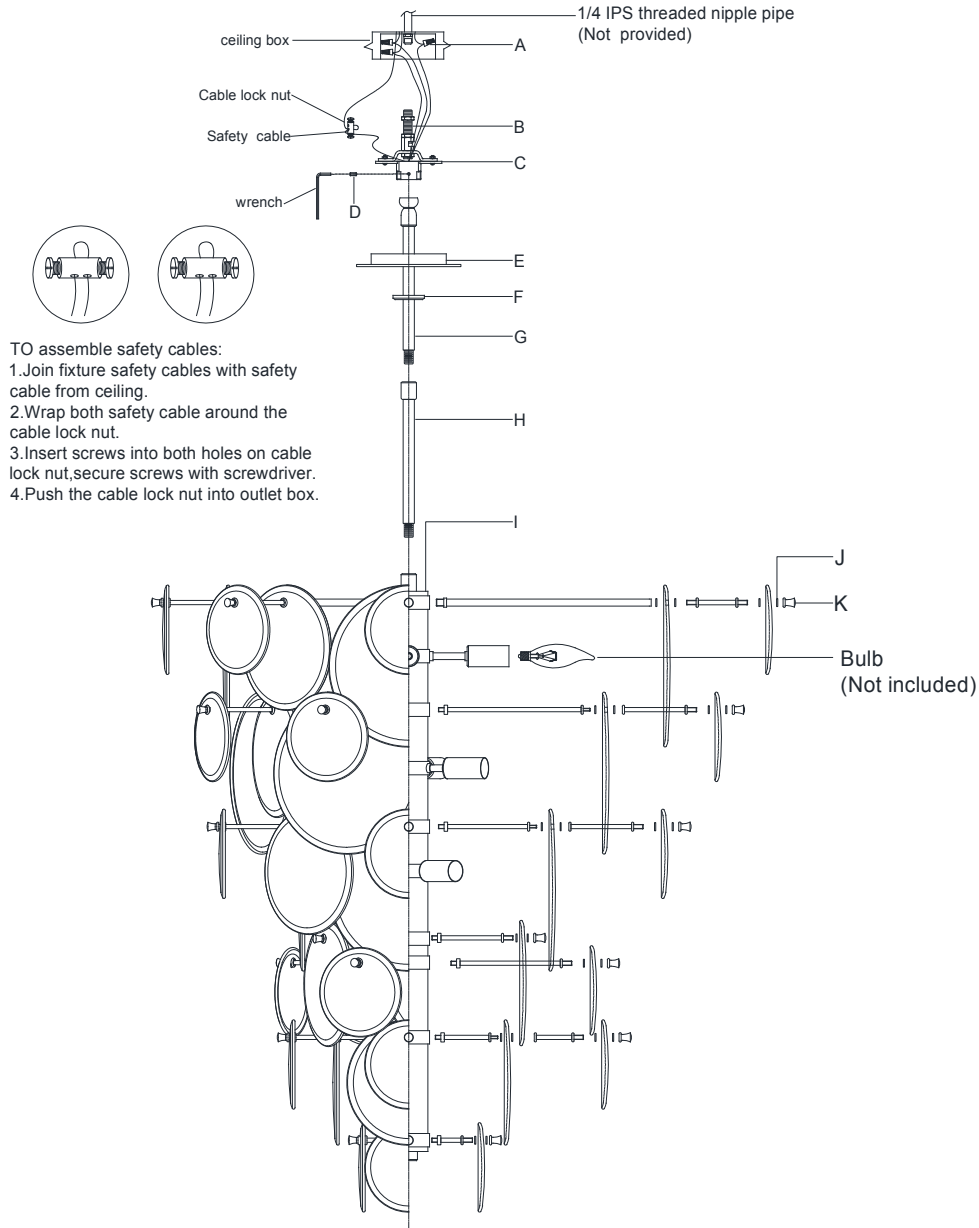


## ASSEMBLY INSTRUCTIONS



## Loire Cascading Chandelier

Item # ARN 5452

**WE RECOMMEND INSTALLATION OF THIS LIGHTING FIXTURE BE DONE BY A LICENSED ELECTRICIAN.**

**WARNING\*\*\*SWITCH OFF THE MAIN ELECTRICAL SUPPLY FROM THE MAIN FUSE BOX/CIRCUIT BREAKER BEFORE INSTALLATION.**

**INSPECT ITEM CAREFULLY BEFORE ATTEMPTING TO INSTALL. IF THERE IS ANY DAMAGE OR OBVIOUS DEFECT. DO NOT INSTALL.**

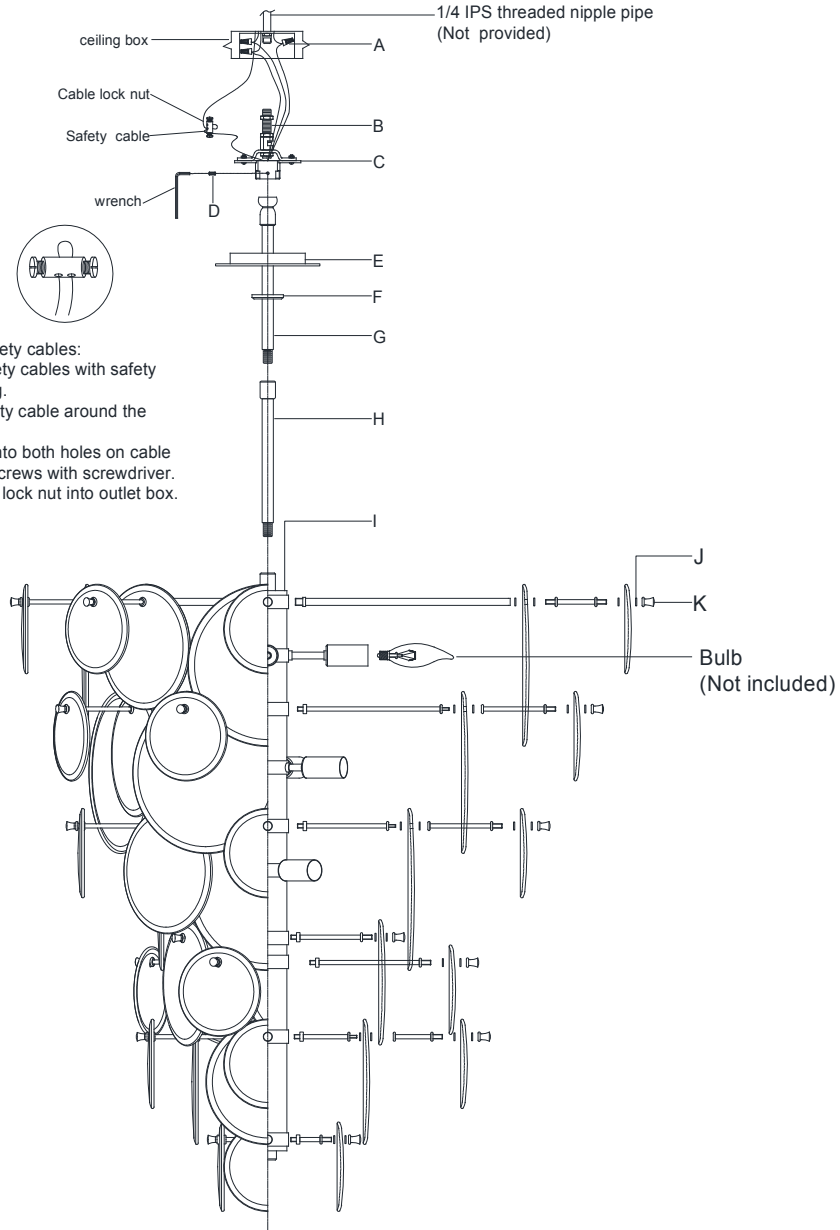
**ITEM MAY NOT BE RETURNED ONCE IT HAS BEEN INSTALLED.**

**NOTE: CAREFULLY UNPACK EACH PIECE IN TOP LAYER OF PACKING PRIOR TO REMOVING. RETAIN ALL PACKING MATERIAL UNTIL INSPECTION AND INSTALLATION ARE FINAL.**

1. Carefully remove all parts from the box.
2. Feed the fixture wire, ground wire and safety cable pass through the rod (H), then thread the rod (H) to the top of fixture body (I).
3. Feed the fixture wire, ground wire and safety cable pass through the collar ring (F) and canopy (E) and rod (G). Then thread the rod (G) to the rod (H).
4. Provide a 1/4" IPS pipe with one end securely mounted to a beam or a structural member. The other end should protrude through the center of the outlet box as shown.
5. Install the threaded nipple (B) into the support pipe and adjust overall length to allow the canopy ring to hold the canopy flush to the ceiling.
6. Hang the fixture body (I) to the mounting plate (C) and secure with screw (D) by using the wrench.
7. Connect the fixture ground (bare) wire with the ground wire from the outlet box using wire nut (A). If your house does not have ground wire, then attach this wire to the green grounding screw inside of the outlet box.  
IT IS IMPERATIVE THAT THIS FIXTURE BE GROUNDED.
8. Connect the fixture Neutral wire (ribbed) with the neutral wire (usually white) from the outlet box using wire nut (A).
9. Connect the fixture Hot wire (smooth, marks with words) with the hot wire (usually black) from the outlet box using wire nut (A).  
DO NOT REVERSE THE HOT AND NEUTRAL CONNECTIONS OR SAFETY WILL BE COMPROMISED.



# ASSEMBLY INSTRUCTIONS



- TO assemble safety cables:
1. Join fixture safety cables with safety cable from ceiling.
  2. Wrap both safety cable around the cable lock nut.
  3. Insert screws into both holes on cable lock nut, secure screws with screwdriver.
  4. Push the cable lock nut into outlet box.

## Loire Cascading Chandelier

Item # ARN 5452

**WE RECOMMEND INSTALLATION OF THIS LIGHTING FIXTURE BE DONE BY A LICENSED ELECTRICIAN.**

**WARNING\*\*\*SWITCH OFF THE MAIN ELECTRICAL SUPPLY FROM THE MAIN FUSE BOX/CIRCUIT BREAKER BEFORE INSTALLATION.**

**INSPECT ITEM CAREFULLY BEFORE ATTEMPTING TO INSTALL. IF THERE IS ANY DAMAGE OR OBVIOUS DEFECT. DO NOT INSTALL.**

**ITEM MAY NOT BE RETURNED ONCE IT HAS BEEN INSTALLED.**

**NOTE: CAREFULLY UNPACK EACH PIECE IN TOP LAYER OF PACKING PRIOR TO REMOVING. RETAIN ALL PACKING MATERIAL UNTIL INSPECTION AND INSTALLATION ARE FINAL.**

10. Tuck the wire connections neatly into the outlet box to secure.
11. Put canopy (E) flush to the ceiling and secure with collar ring (F).
12. Insert bulbs (not included ) into the sockets.
13. Assemble the glass disks (see below attached instruction).
14. Installation is complete, turn on power at fuse or circuit breaker.

\*\*\*Clean with a dry, soft cloth only. Use no harsh abrasives or chemical agents.



# ASSEMBLY INSTRUCTIONS

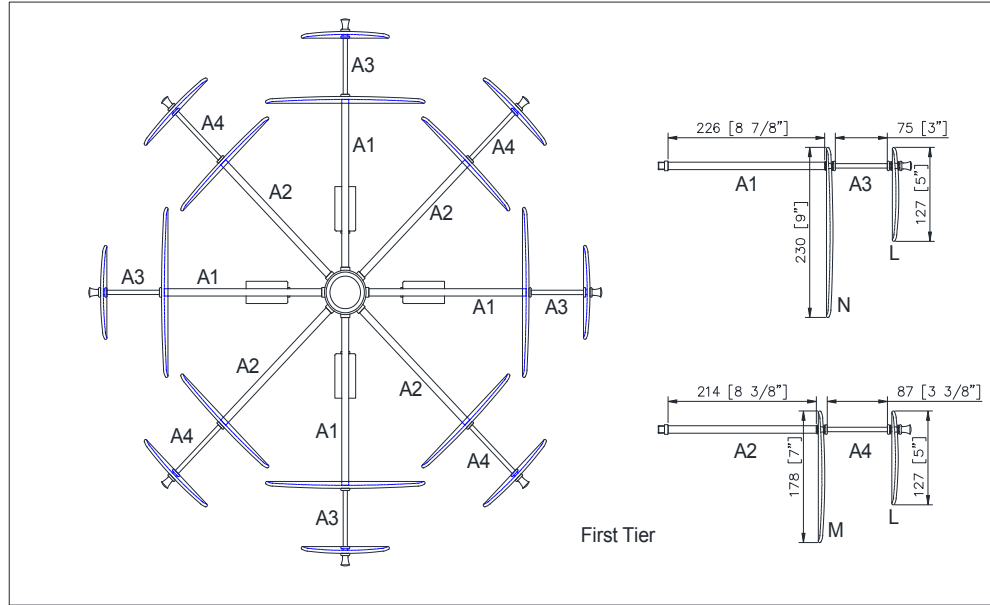


Fig.1

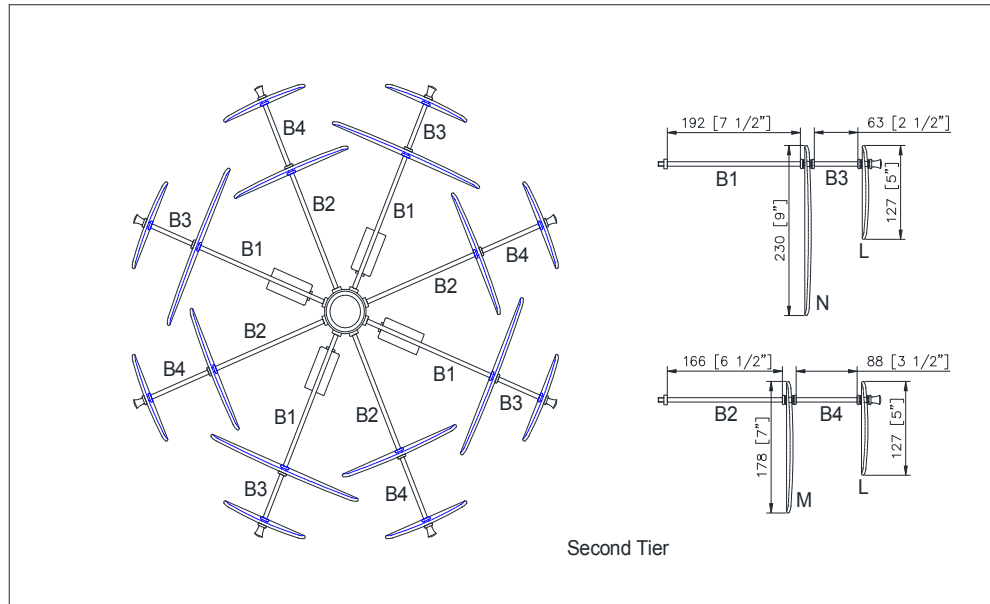


Fig.2

## Loire Cascading Chandelier

Item # ARN 5452

**WE RECOMMEND INSTALLATION OF THIS LIGHTING FIXTURE BE DONE BY A LICENSED ELECTRICIAN.**

**WARNING\*\*\*SWITCH OFF THE MAIN ELECTRICAL SUPPLY FROM THE MAIN FUSE BOX/CIRCUIT BREAKER BEFORE INSTALLATION.**

**INSPECT ITEM CAREFULLY BEFORE ATTEMPTING TO INSTALL. IF THERE IS ANY DAMAGE OR OBVIOUS DEFECT. DO NOT INSTALL.**

**ITEM MAY NOT BE RETURNED ONCE IT HAS BEEN INSTALLED.**

**NOTE: CAREFULLY UNPACK EACH PIECE IN TOP LAYER OF PACKING PRIOR TO REMOVING. RETAIN ALL PACKING MATERIAL UNTIL INSPECTION AND INSTALLATION ARE FINAL.**

To assemble the metal rod and glass disk:

1. Thread the metal rods (A1) and (A2) to the center hub.  
Please note that all the metal rods (A1) are located on the top of the first tier sockets.
2. Thread the metal rods (B1) and (B2) to the center hub.  
Please note that all the metal rods (B1) are located on the top of the second tier sockets.
3. Thread the metal rods (C1) and (C3) to the center hub.  
Please note that all the metal rods (C3) are located on the top of the third tier sockets.
4. Thread the metal rods (D1), (E1), (F1) and (G1) to the center hub.
5. Loosen the finial (K) from the metal rods (G1), attach the glass disks (L) to the metal rods (G1) and secure with rubber washer (J) and finial (K).
6. Remove the metal rods (F2) from the metal rods (F1), attach the glass disks (M) to the metal rods (F1) and secure with rubber washer (J) and metal rods (F2).
7. Loosen the finial (K) from the metal rods (F2), attach the glass disks (L) to the metal rods (F2) and secure with rubber washer (J) and finial (K).
8. Loosen the finial (K) from the metal rods (E1), attach the glass disks (L) to the metal rods (E1) and secure with rubber washer (J) and finial (K).
9. Loosen the finial (K) from the metal rods (D1), attach the glass disks (M) to the metal rods (D1) and secure with rubber washer (J) and finial (K).
10. Remove the metal rods (C2) from the metal rods (C1), attach the glass disks (N) to the metal rods (C1) and secure with rubber washer (J) and metal rods (C2).
11. Loosen the finial (K) from the metal rods (C2), attach the glass disks (L) to the metal rods (C2) and secure with rubber washer (J) and finial (K).
12. Loosen the finial (K) from the metal rods (C3), attach the glass disks (M) to the metal rods (C3) and secure with rubber washer (J) and finial (K).



## ASSEMBLY INSTRUCTIONS

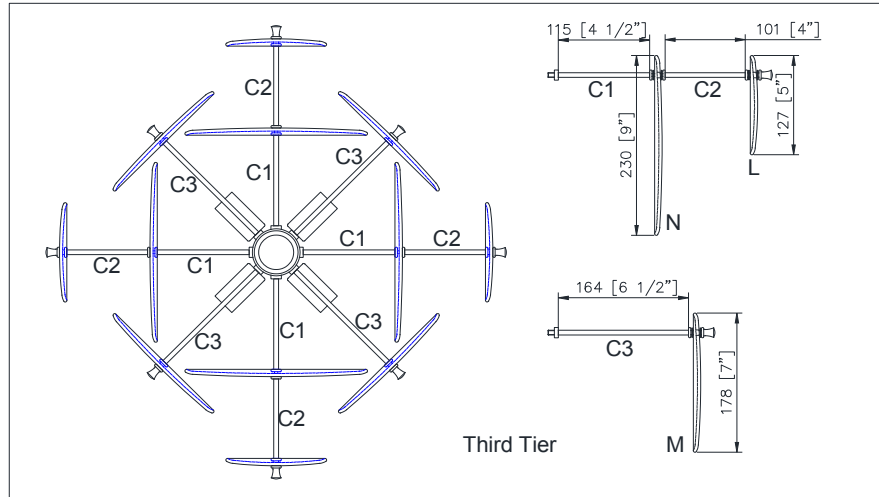


Fig.3

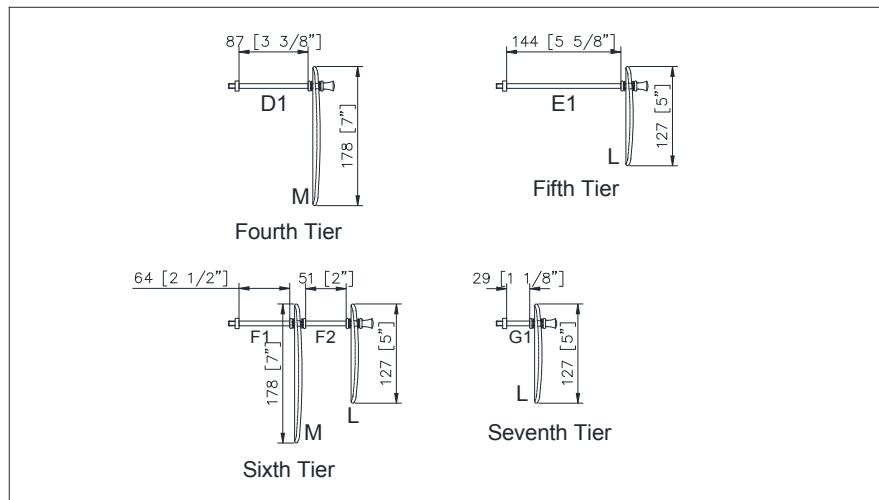


Fig.4

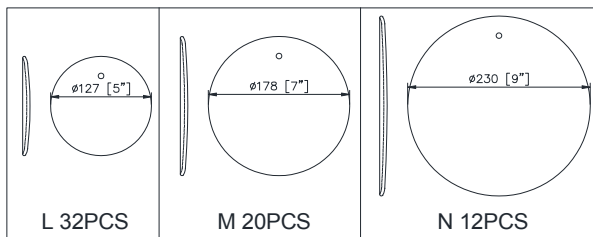


Fig.5

## Loire Cascading Chandelier

Item # ARN 5452

WE RECOMMEND INSTALLATION OF THIS LIGHTING FIXTURE BE DONE BY A LICENSED ELECTRICIAN.

WARNING\*\*\*SWITCH OFF THE MAIN ELECTRICAL SUPPLY FROM THE MAIN FUSE BOX/CIRCUIT BREAKER BEFORE INSTALLATION.

INSPECT ITEM CAREFULLY BEFORE ATTEMPTING TO INSTALL. IF THERE IS ANY DAMAGE OR OBVIOUS DEFECT. DO NOT INSTALL.

ITEM MAY NOT BE RETURNED ONCE IT HAS BEEN INSTALLED.

NOTE: CAREFULLY UNPACK EACH PIECE IN TOP LAYER OF PACKING PRIOR TO REMOVING. RETAIN ALL PACKING MATERIAL UNTIL INSPECTION AND INSTALLATION ARE FINAL.

13. Remove the metal rods (B4) from the metal rods (B2), attach the glass disks (M) to the metal rods (B2) and secure with rubber washer (J) and metal rods (B4).
14. Loosen the finial (K) from the metal rods (B4), attach the glass disks (L) to the metal rods (B4) and secure with rubber washer (J) and finial (K).
15. Remove the metal rods (B3) from the metal rods (B1), attach the glass disks (N) to the metal rods (B1) and secure with rubber washer (J) and metal rods (B3).
16. Loosen the finial (K) from the metal rods (B3), attach the glass disks (L) to the metal rods (B3) and secure with rubber washer (J) and finial (K).
17. Remove the metal rods (A4) from the metal rods (A2), attach the glass disks (M) to the metal rods (A2) and secure with rubber washer (J) and metal rods (A4).
18. Loosen the finial (K) from the metal rods (A4), attach the glass disks (L) to the metal rods (A4) and secure with rubber washer (J) and finial (K).
19. Remove the metal rods (A3) from the metal rods (A1), attach the glass disks (N) to the metal rods (A1) and secure with rubber washer (J) and metal rods (A3).
20. Loosen the finial (K) from the metal rods (A3), attach the glass disks (L) to the metal rods (A3) and secure with rubber washer (J) and finial (K).

